



SMART ENERGY SOLUTIONS
 E-mail: sales@smartlednc.com
www.smartlednc.com

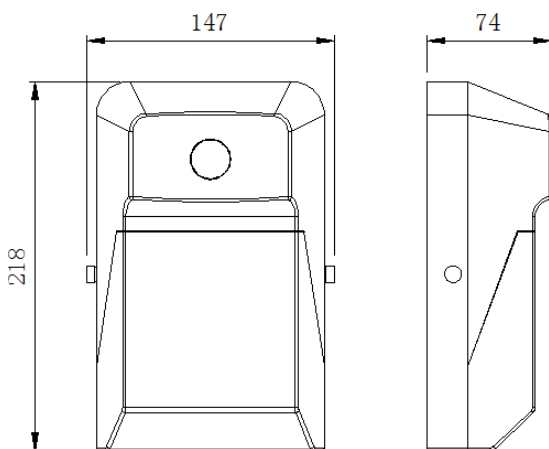


P/N: AST-WP03-15WC1-aak

Note:

- AST= Company name;
- WP03 = Product series, LED Wall Pack;
- 15W = Rating Power;
- C1 = Clear cover.
- aaK = CCT, can be any numbers.

DIMENSIONS



ADVANTAGE

- UL cUL DLC certificate
- IP65 Internal driver, Input voltage 100-277VAC
- No UV or IR in the beam
- Easy to install and operate
- Energy saving, long lifespan
- Instant start, NO humming
- Green and eco-friendly without mercury.

APPLICATION

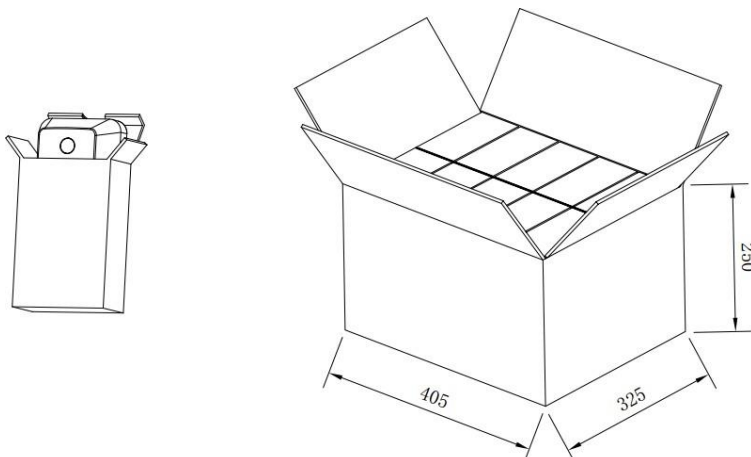
- Entrance lighting, courtyard lighting;
- Industrial lighting, Outdoor landscape lighting;
- Building, The hotel;
- Wall lighting area and so on.

SPECIFICATIONS

OPTICAL	Input Power	15W
	Lumen	1700-1900LM
	Lumen Efficacy	115-125LM/W
	Color Temperature	4000K, 4500K, 5000K, 5700K
	CRI	>80
	Viewing Angle	90 Degree
ELECTRICAL	Input Voltage	100-277VAC 50/60Hz
	PF	≥0.9
	THD	≤20%
	Driver Model	China Brand Driver
MATERIALS	LED Type	SMD2835 (0.5W)
	LED QTY	120 PCS
	Housing	Aluminum(ADC12) +PC
	Housing Color	Brown
	Cover	Stripe lens
	Waterproof Rating	WET (IP65)
	Optional Accessory	Photocell (Option)
OTHERS	Operating Temperature	-20°C TO 45°C
	Operating Humidity	20%-90% RH
	Storage Temperature	-30°C TO 80°C
	Storage Humidity	10%-95% RH
	Warranty Time	5 Years

PACKAGE

	Size	Qty/Carton	Weight/Carton
Outer box	405 X 325 X 250 mm	10	10 kg
Inner box	151 X 78 X 228 mm	1	0.92 Kg



LIGHT DISTRIBUTION TESTING PARAMETERS

Luminaire Property

Luminaire Manufacturer:
Voltage: 119.9 V
Power: 14.88 W

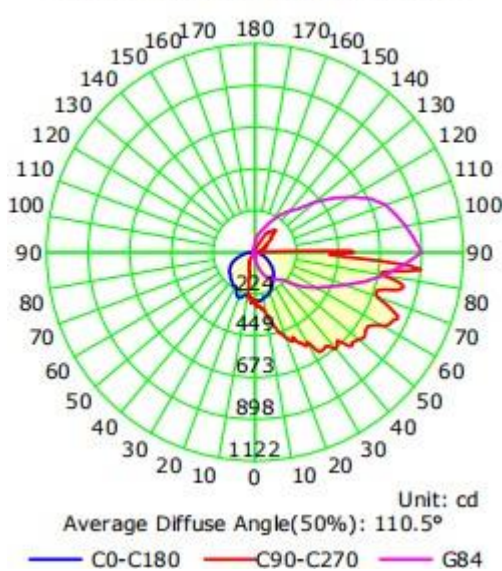
Current: 0.1267 A
Power Factor: 0.9787

Photometric Results

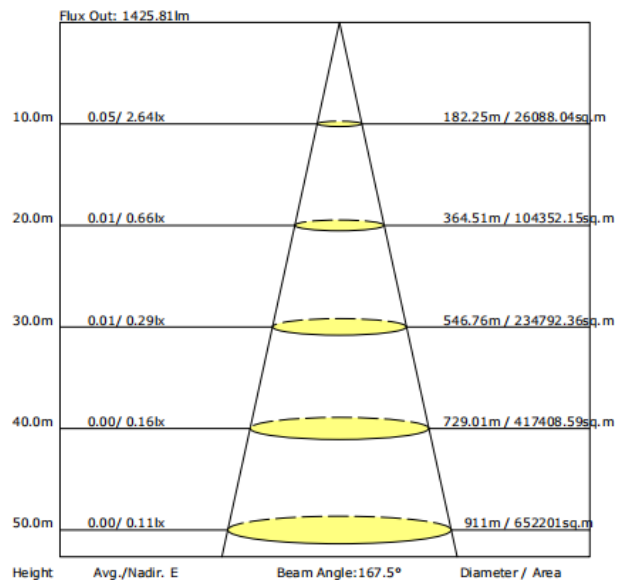
IES Classification: Type IV
Total Rated Lamp Lumens: 1831.1 lm
Efficiency: 100%
Upward Ratio: 16%
Central Intensity: 263.75 cd
Pos of Max. Intensity: H90 V84

Longitudinal Classification: Very Short
Measurement Flux: 1831.1 lm
Downward Ratio: 84%
Luminaire Efficacy Rating (LER): 123.06
Max. Intensity: 898.2 cd

Luminous Intensity Distribution Curve



The Average Illuminance Effective Figure



NOTICE FOR USER

- Please turn off power before install or change assembly parts.
- The input voltage and lamps should be matched, after connecting the power line, Please make sure the wiring section is insulated.
- No-professionals, must not install and disassemble the lamps.

TROUBLE SHOOTINGS

Troubles	Check points
Flickering of the light	Turn off the power and turn on again in 3 minutes. If same phenomena occur, then call agencies.
Out of working	Please check the connection.